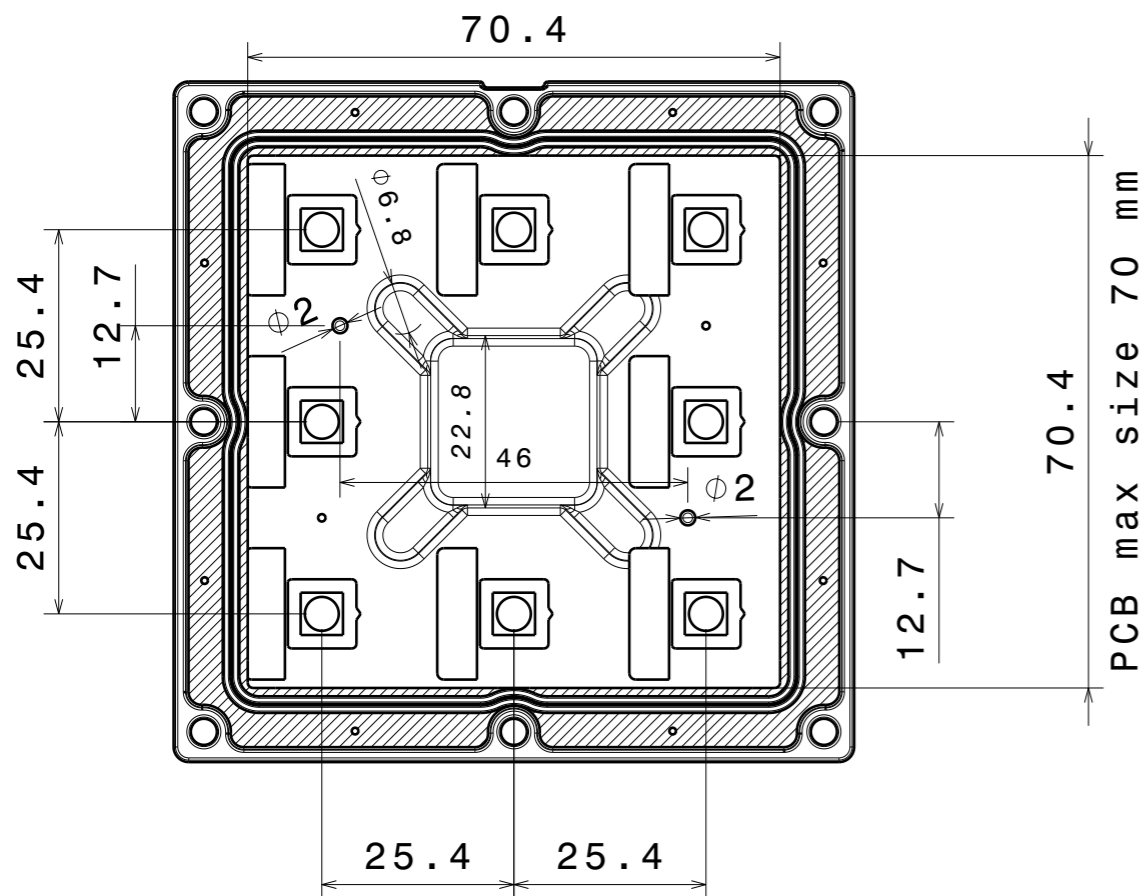
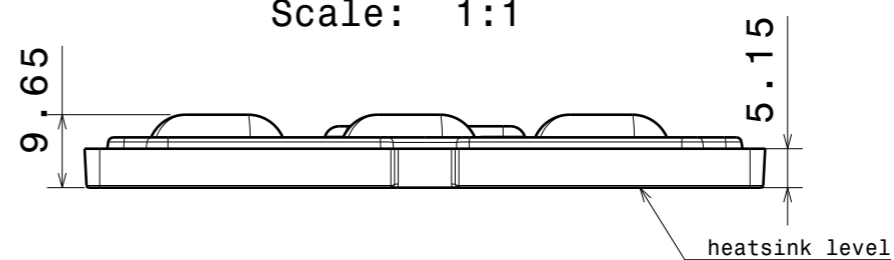


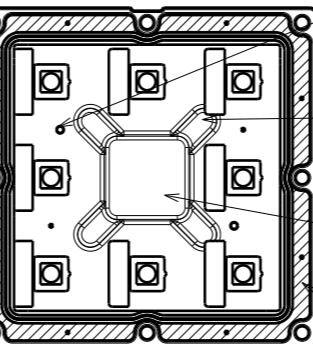
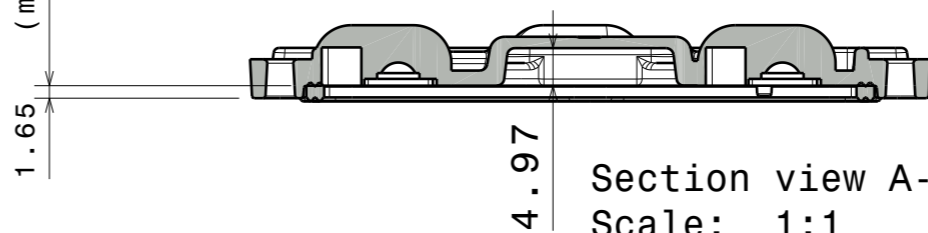
Rear view Scale: 1:1



Side view Scale: 1:1

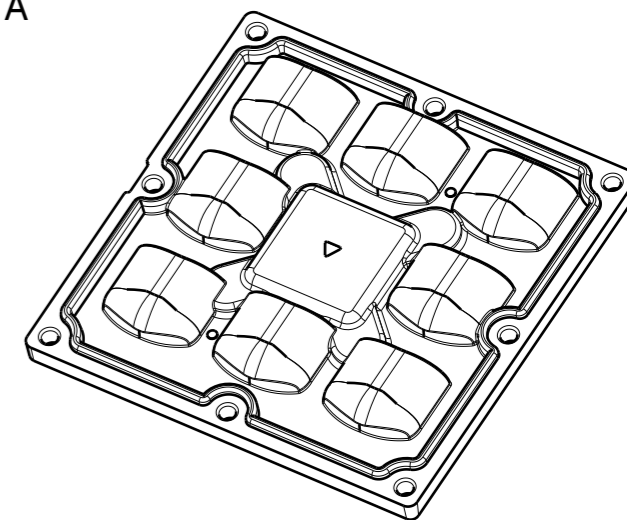


Section view A-A Scale: 1:1

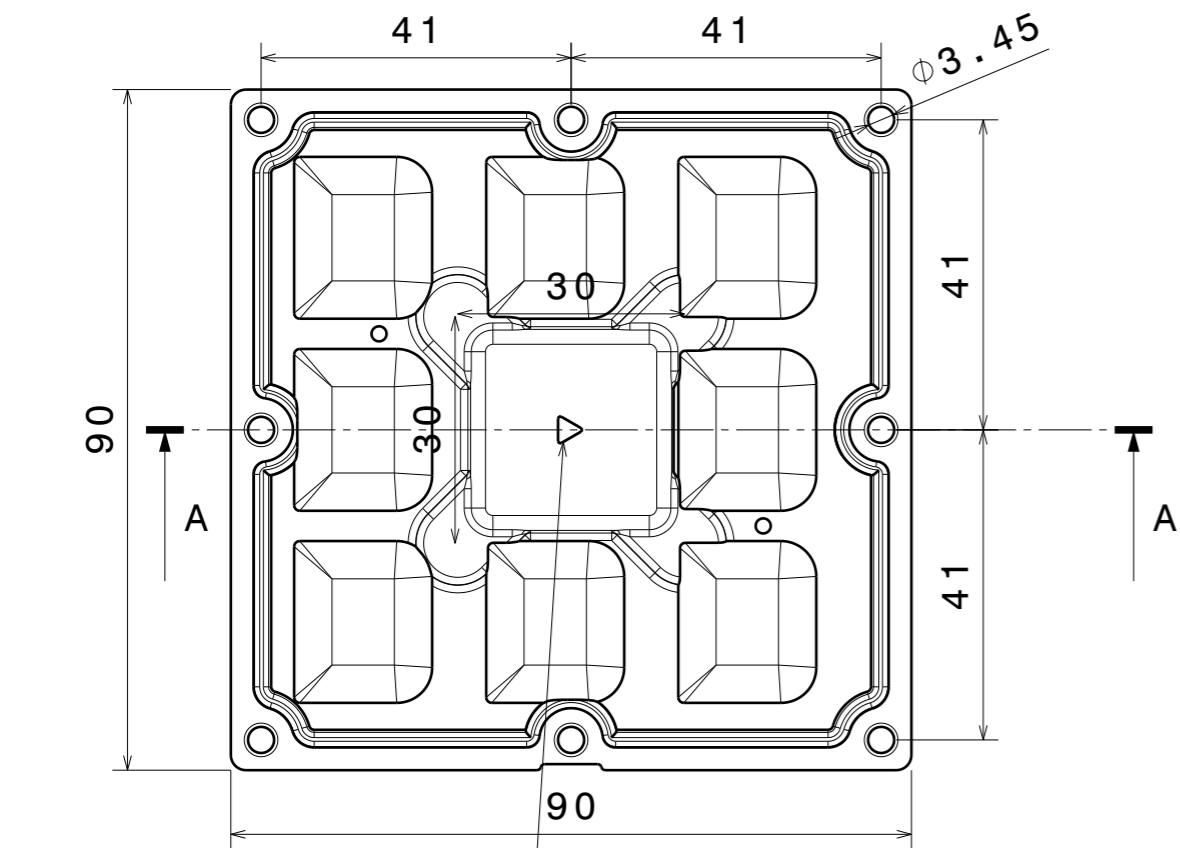


Rear view Scale: 1:2

- 2x positioning pins
- PCB screw pocket x 4
- Connector / component pocket
- Silicon seal



Isometric view Scale: 2:3



Front view Scale: 1:1

Arrow pointing to street side

PART	TYPE	MATERIAL	COLOR
CP16658_STRADA-IP-8-T2-C-PC		PC + Silicone seal	clear
<b>MECHANICAL DRAWING</b>			<b>LEDiL®</b>
PRODUCT STRADA-IP-8-T2-C-PC			
Plastic moulding general tolerances according to DIN 16901-130 and applies if not otherwise shown in the drawing. Silicone moulding general tolerances according to ISO 3302-1 Class M3 and applies if not otherwise shown in the drawing.		FIRST ANGLE PROJECTION:	This drawing is the property of LEDiL Oy. It may not be copied or otherwise distributed without prior written permission from LEDiL Oy.
SCALE	1:1	WEIGHT	A3 SHEET 1/1